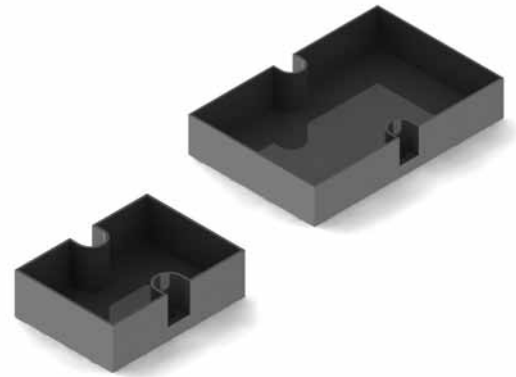


- Description** Enclosures
- Construction**
- Break Resistant Thermoplastic
 - Black Standard, other colors available, consult factory
- Agency Approvals**
- UL recognized, File No. E60008
 - CSA certified, File No. LR29513
 - ROHS



E2 Series Ordering Code

Part #	Description
E2BV2720	Enclosure (Fig. 1)
E2BV4530	Enclosure (Fig. 2)

