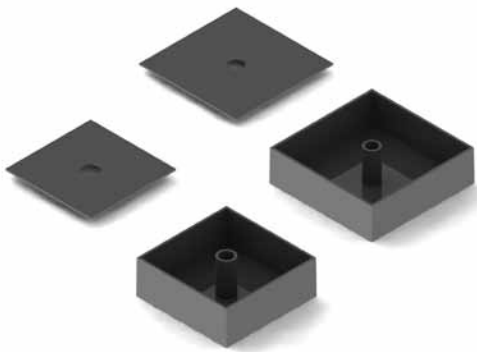


E1 Series



Description
Construction

Enclosures/Covers

- Break Resistant Thermoplastic
- Black Standard, other colors available, consult factory

Agency Approvals

- UL recognized, File No. E60008
- CSA certified, File No. LR29513
- ROHS



E1 Series Ordering Code

Part #	Description
E1BV2020	Enclosure (Fig. 1)
E1BV2525	Enclosure (Fig. 2)
C1BV2020	Cover (Fig. 3) Consult factory for molded in cover modifications
C1BV2525	Cover (Fig. 4) Consult factory for molded in cover modifications

Figure 1

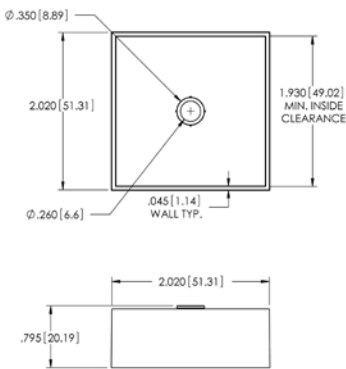


Figure 2

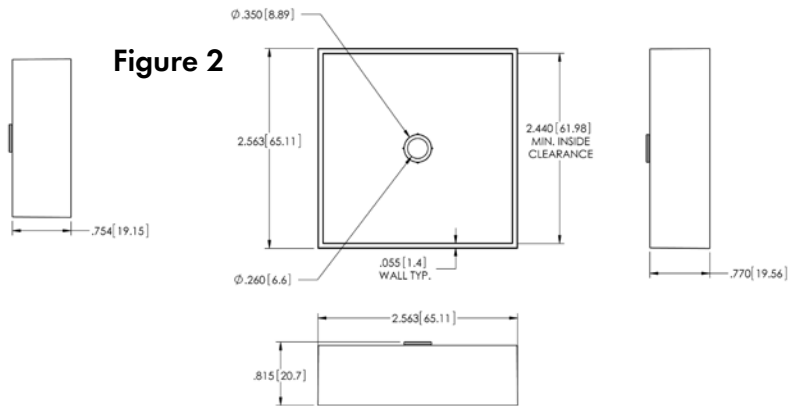


Figure 3

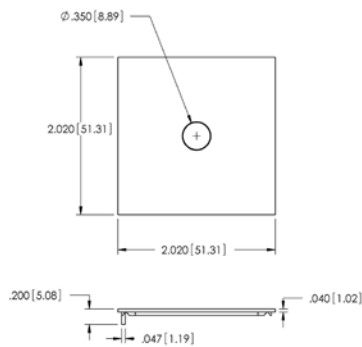


Figure 4

