

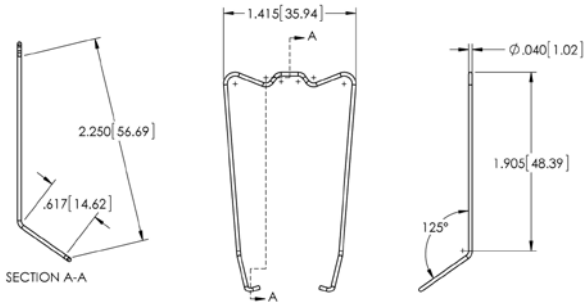
**Description**

Relay Hold Down Springs, DIN Rail Mounting Clamps

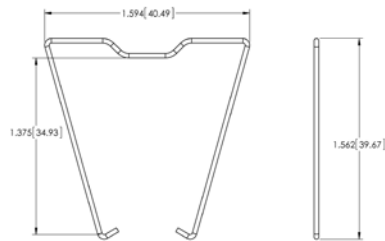
**Construction**

Hold Down Springs - Stainless Steel, DIN rail mounting Clamps - Nickel Plated Steel

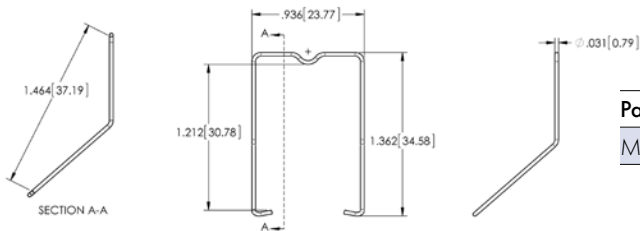
**Agency Approvals** • ROHS



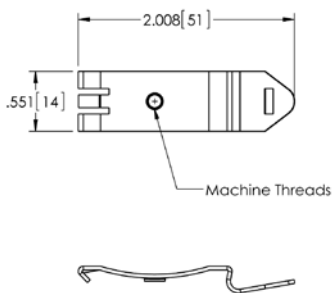
Part #	Description
HDB-13	For ES8 and ES11



Part #	Description
HDB-19	For GT14-PC



Part #	Description
MHO	For ES15/4B, 4S, ES15/2N, 3N, 4N



Part #	Description
RMC-M4	DIN rail mounting clamp - allows non DIN mount devices to be installed on 35mm DIN rails. M4 threaded hole.

Part #	Description
RMC-M5	DIN rail mounting clamp - allows non DIN mount devices to be installed on 35mm DIN rails. M5 threaded hole.