

# Hold Down Springs DIN Rails & Accessories

## Description

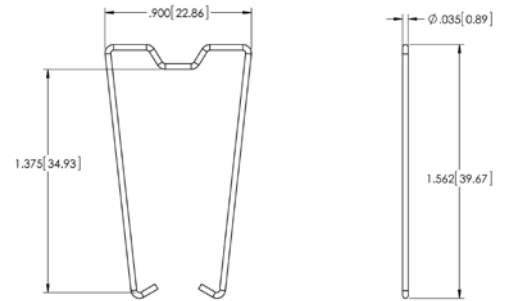
Relay Hold Down Springs

## Construction

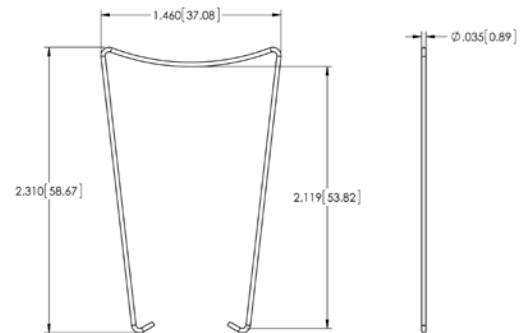
Stainless Steel

Agency Approvals • ROHS

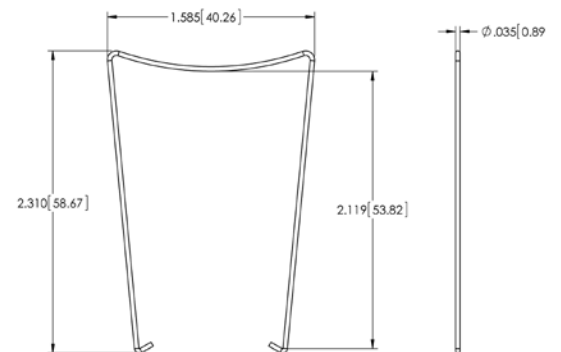
| Part # | Description                                |
|--------|--|
| HDB-4  | For GR, GT, MR and MT Series Relay Sockets |



| Part # | Description                 |
|--------|-----------------------------|
| HDB-5  | For CM Series Relay Sockets |



| Part # | Description                        |
|--------|------------------------------------|
| HDB-8  | For SS and ST Series Relay Sockets |



| Part # | Description  |
|--------|--|
| HDB-9  | For GR108-PCB, GR108-SLD and MR Series Relay Sockets |

