

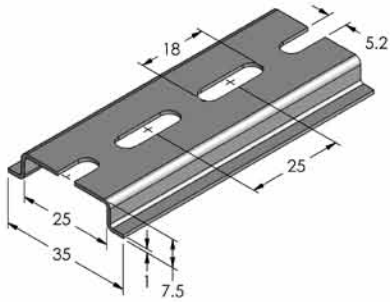
**Description**

Steel DIN Rails

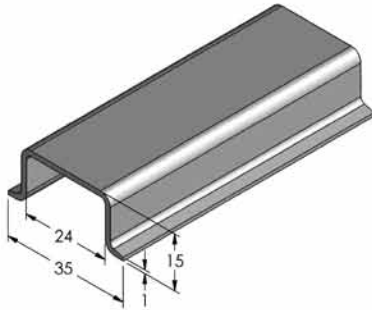
**Construction**

Roll Formed Steel, Galvanic Zinc Plating and Passivation

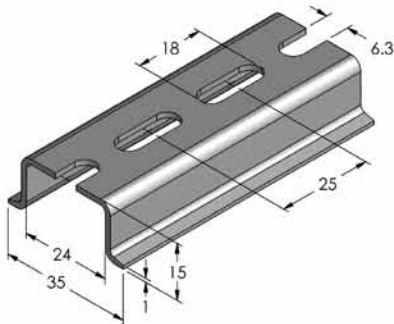
**Agency Approvals** • European Standard EN 60715  
• ROHS



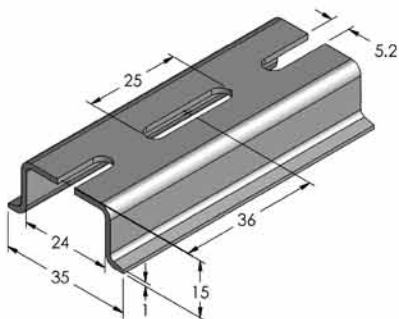
Part #	Description
C-104-PM	Prepunched 1 Meter



Part #	Description
C-105-2M	Unpunched 2 Meter



Part #	Description
C-105-PM	Prepunched 1 Meter
C-105-2PM	Prepunched 2 Meter



Part #	Description
C-105-2PM-B	Prepunched 2 Meter

Rails may be supplied precut in standard lengths or to customer specifications. Please consult factory.