

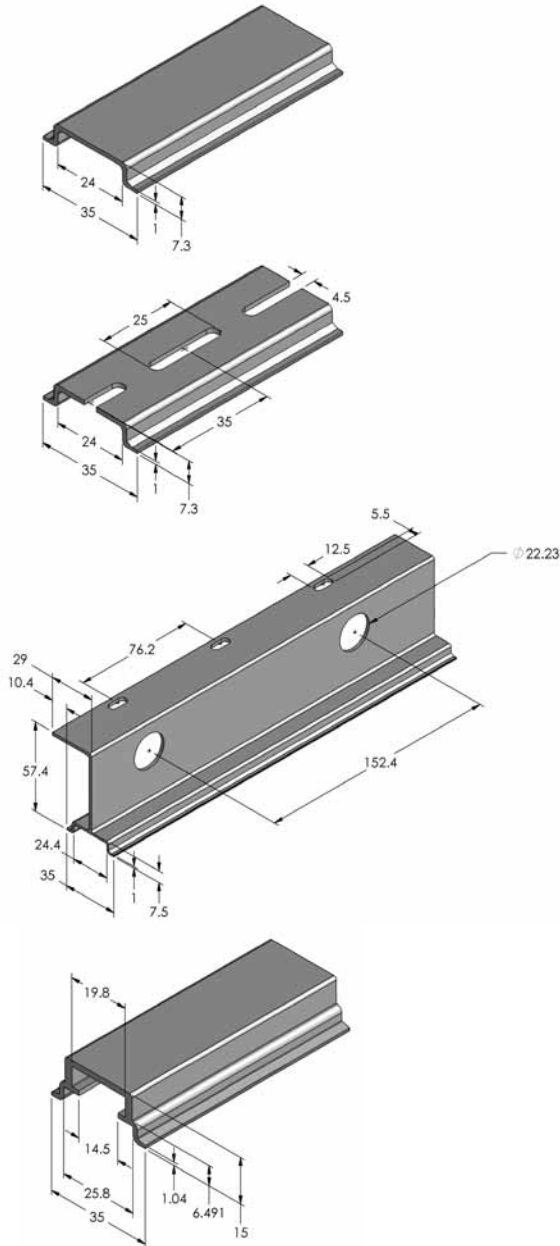
**Description**

Aluminum DIN Rails

**Construction**

Extrusion Grade Aluminum

**Agency Approvals** • ROHS



Part #	Description
C-103-M	Unpunched 1 Meter

Part #	Description
C-103-PM	Prepunched 1 Meter

Part #	Description
C-108-PM	Prepunched Raised 1 Meter
C-108-2PM	Prepunched Raised 2 Meter

Part #	Description
C-112-2M	Unpunched 2 Meter

Rails may be supplied precut in standard lengths or to customer specifications. Please consult factory.