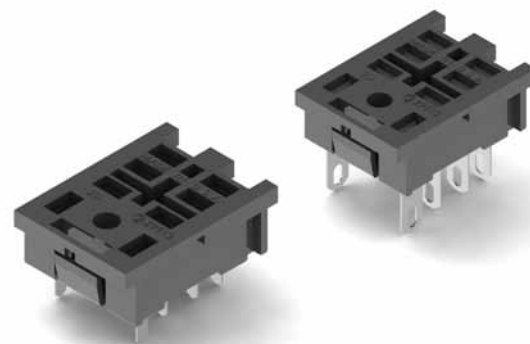


GR Series Relay Sockets

- Description** 5 and 8 Pin Midget Sockets
- Electrical Rating** • 300 Volts, 10 Amps
- Construction** **Contacts** • Brass, Bright Tin Plated
Molding • Break Resistant Thermoplastic
- Agency Approvals** • UL recognized, File No. E60008
• CSA certified, File No. LR29513
• CE
• ROHS



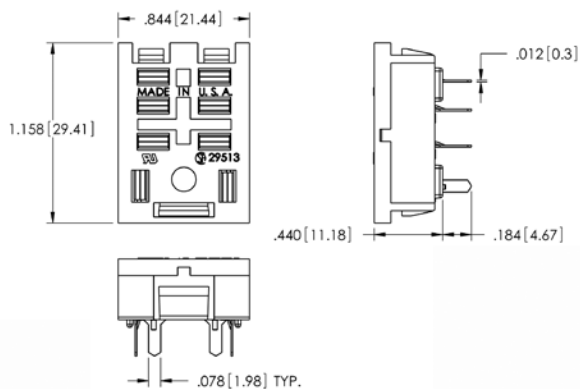
GR Series Ordering Code

Part #	Description	Terminal Type
GR105-PCB	SPDT, 5 Pin Midget (Fig.1)	PC Board
GR105-SLD	SPDT, 5 Pin Midget (Fig. 2)	Solder
GR108-PCB	DPDT, 8 Pin Midget (Fig. 1)	PC Board
GR108-SLD	DPDT, 8 Pin Midget (Fig. 2)	Solder

Accessories

Part #	Description
(Refer to the accessories pages 24-31)	
HDB-4	Hold Down Spring
HDB-9	Hold Down Spring

Figure 1



PC BOARD LAYOUT

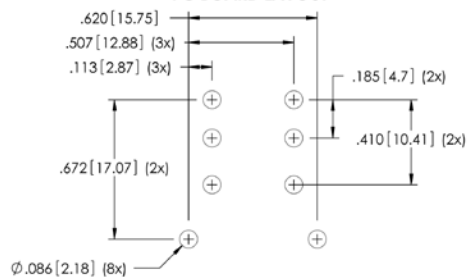
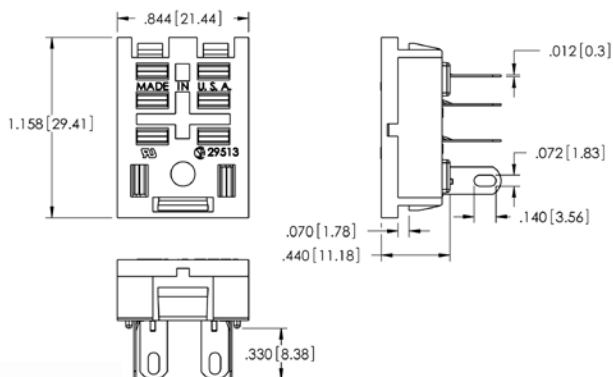


Figure 2



PANEL CUT-OUT SIZE

